

SERVICE DRG. No.

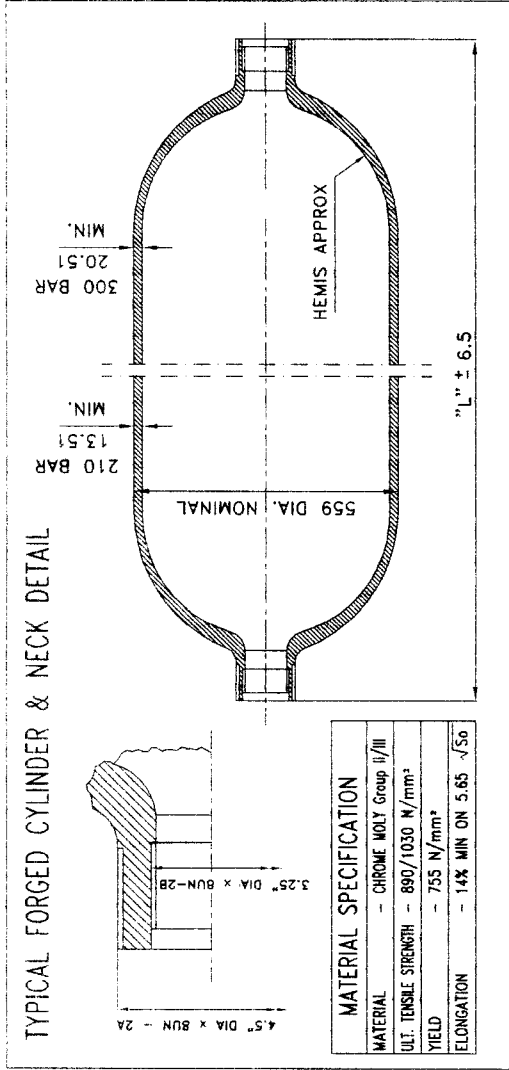
SHEET
No 1
OF 1

3rd ANGLE PROJECTION

CURTY CLASSIFICATION

ED ON

TYPICAL FORGED CYLINDER & NECK DETAIL



MATERIAL SPECIFICATION	
MATERIAL	- CHROME MOLY Group II/III
ULT. TENSILE STRENGTH	- 880/1030 N/mm ²
YIELD	- 755 N/mm ²
ELONGATION	- 14% MIN ON 5.65 √So

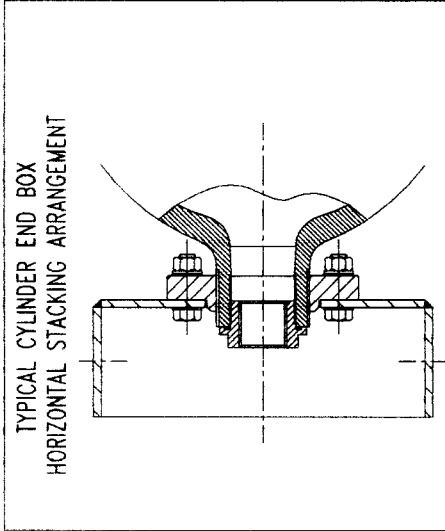
TYPICAL STATISTICS - BS EN ISO 11120 : 1999

300 BAR WORKING PRESSURE (450 BAR TEST PRESSURE)			
APPROX WATER CAPACITY	APPROX AIR CAPACITY M ³	LENGTH L (mm)	NOMINAL CYLINDER WEIGHT (KG)
400 L	108	105	2470
500 L	135	131	2965
1000 L	271	263	5445
1200 L	325	315	6435
1800 L	488	473	9460
2000 L	542	525	10211

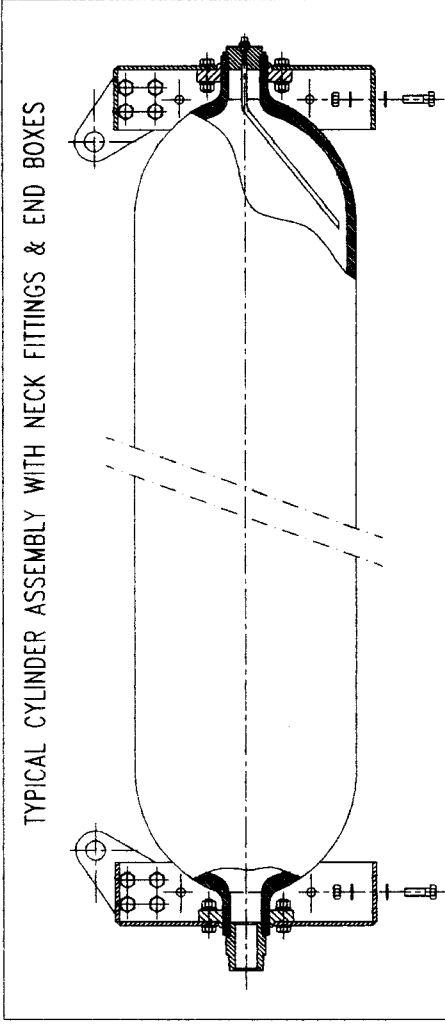
210 BAR WORKING PRESSURE (315 BAR TEST PRESSURE)			
APPROX WATER CAPACITY	APPROX AIR CAPACITY M ³	LENGTH L (mm)	NOMINAL CYLINDER WEIGHT (KG)
500 L	102	99	2768
1000 L	203	198	5135
1200 L	244	238	6071
1500 L	305	297	7470
1600 L	325	317	7951
2000 L	406	396	9830
2100 L	426	416	10312
2200 L	447	435	10769

PRESSURE AND CAPACITY ARE NOT LIMITED TO THOSE ABOVE

TYPICAL CYLINDER END BOX HORIZONTAL STACKING ARRANGEMENT



TYPICAL CYLINDER ASSEMBLY WITH NECK FITTINGS & END BOXES



RT'D

CHECKED

DRAWN

HECKED

TAWN

Pickles

ISSUE	DATE	CHANGE No	ISSUE	DATE	CHANGE No
1	6.9.05.				

SPECIFICATION	ESTIMATED MASS	SCALE	TITLE
BS EN ISO 11120 : 1999	TOLS	DIMS IN mm	TYPICAL VESSEL STATISTICS AND FITTING ARRANGEMENTS
FINISH SPECIFICATION			N.S.N.
			CONTRACTOR
			CHESTERFIELD SPECIAL CYLINDERS Ltd.
			MOD ESTABLISHMENT

RESPONSIBLE AUTHORITY	SECURITY CLASSIFICATION	CONTRACTOR'S DRG. NO	SERVICE DRG NO

SHEET
No 1
OF 1